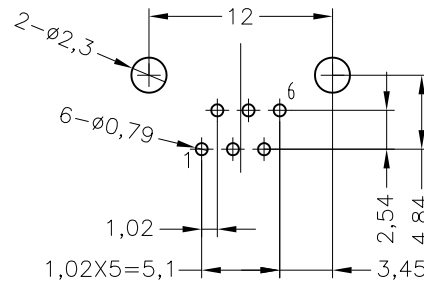
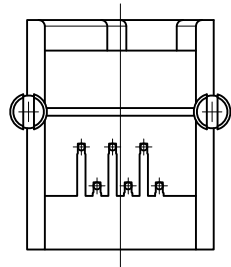
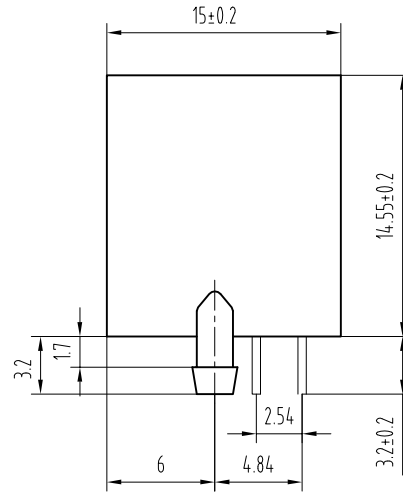
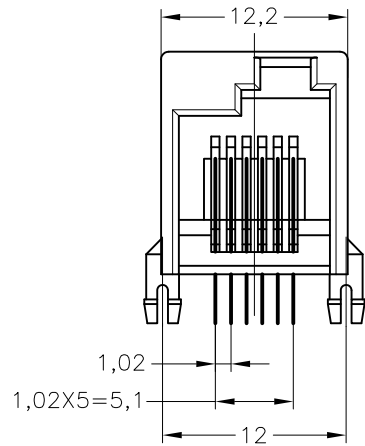


REVISION RECORD				
REV	DATE	DESCRIPTION	Drawing	Check
A	2013/6/25	新版发行	DANNY	DANNY



PCB LAYOUT

NOTES:

ELECTRICAL:

- 1.VOLTAGE RATING :125 VAC RMS.
- 2.CURRENT RATING :1.5 AMP.
- 3.CONTACT RESISTANCE :30 MILLIOHMS MAX.
- 4.INSULATION RESISTANCE :1000 MEGOHMS MIN @ 500V DC .
- 5.DIELECTRIC STRENGTH :1000V AC RMS 50Hz. 1MIN.

MECHANICAL:

- 1.HOUSING MATERIAL :GLASS FILLED POLYESTER .
- 2.CONTACT MATERIAL :PHOSPHOR BRONZE ∅0.46mm ROUND PIN.
- 3.PLATING :GOLD PLATING OVER NICKEL.
- 4.OPERATING :750 CYCLES MIN.
- 5.PCB RETENTION PRE-SOLDER :1 LB MIN.

ENVIRONMENTAL:

- 1.Temperature Range : -40℃~+85℃
- 2.Relative Humidity : 90~95% (40±2℃)

DETAILED LISTS	MM (INCH)	DFTD ERIC	DATE 13.6.25		
	TOLERANCES EXCEPT AS NOTED	CHWD ERIC	DATE 13.6.25		
	MM	APPLY DE	DATE 13.6.25	TITLE 623PCB6P6C右偏口无耳	
	.8 ± 0.20	MATERIAL :			
.00 ± 0.15	QTY :		/PART NO.		
.000 ± 0.075	FINISH :				
ANGLES ±	SCALE : 1:1		DO NOT SCALE DRAWING		
THIRD ANGLE PROJECTION	SHEET 1 OF 1				